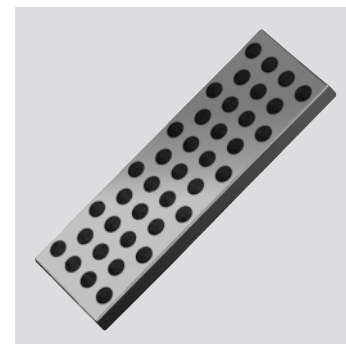
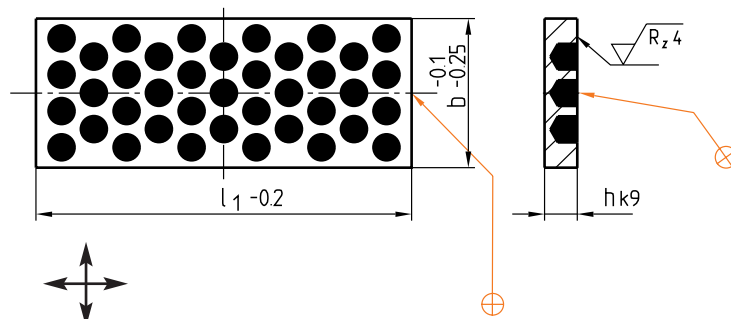


Z 186 W/...

Mat.: 2.0492



► Info



max. °C	b	h	l ₁	Nr./No.
200	25	5	50	Z 186W/25x5x 50
			71	71
			90	90
	40	5	50	Z 186W/40x5x 50
			71	71
			90	90
	40	5	80	Z 186W/40x5x 80
			100	100
			125	125

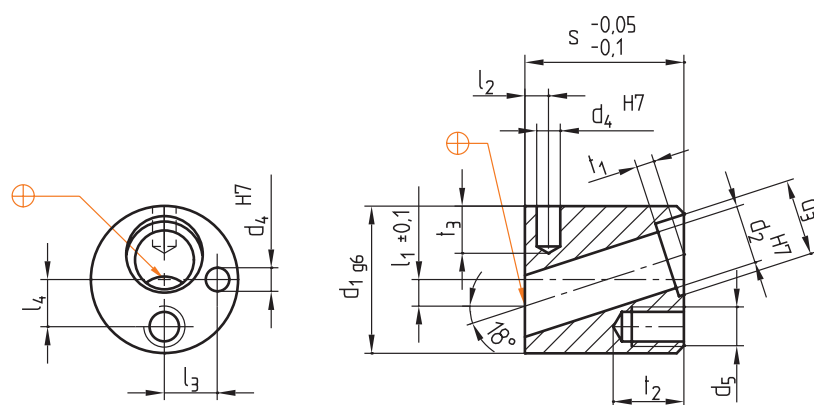
max. °C	b	h	l ₁	Nr./No.
200	40	6	160	Z 186W/40x6x160
			200	200
	63	6	80	Z 186W/63x6x 80
			100	100
			125	125
			160	160

Z 187/...

Mat.: 1.2312/1080 N/mm²



► Info



Neu / New / Nouveau

t ₃	t ₂	t ₁	l ₄	l ₃	l ₂	l ₁	d ₅	d ₄	d ₃	d ₁	s	d ₂	Nr./No.
6	12	3	7	8	4	2,5	M5	3	11	22	22	8	Z 187/22x22x 8
8			8	9		4,5	M6	4	13	25	27	10	25x27x10
10	16,5	8	6	10	6	6	M8	5	17	32	36	12	32x36x12
			12	11					19	36	14	36x36x14	
			13,5	13					21	40	16	40x46x16	
			15	14	6	8		23		46	46	18	40x46x18

This is trial version
www.adultpdf.com